



PRESSURE

DIFFERENTIAL PRESSURE GAUGES K2000 SERIES

DESCRIPTION

The **K2000 Series Differential Pressure Gauges** can be used in applications for measuring positive, negative, or differential pressure with an accuracy of 2%. The gauge includes a 4" (10.2 cm) easy-to-read dial, housed in a rugged die cast aluminum housing. The **K2000 Series** has both back and side connections so that it may be either surface- or flush-mounted. Ranges are available from 0" to 0.25" W.C. up to 20" W.C.

FEATURES

- **2% full-scale accuracy**
- **Easy-to-read 4" (10.16 cm) white dial and red-tipped pointer**
- **Flush or surface mounting**
- **Easily accessible zero adjustment**
- **Corrosion-resistant cast aluminum housing**
- **Back and side connections**

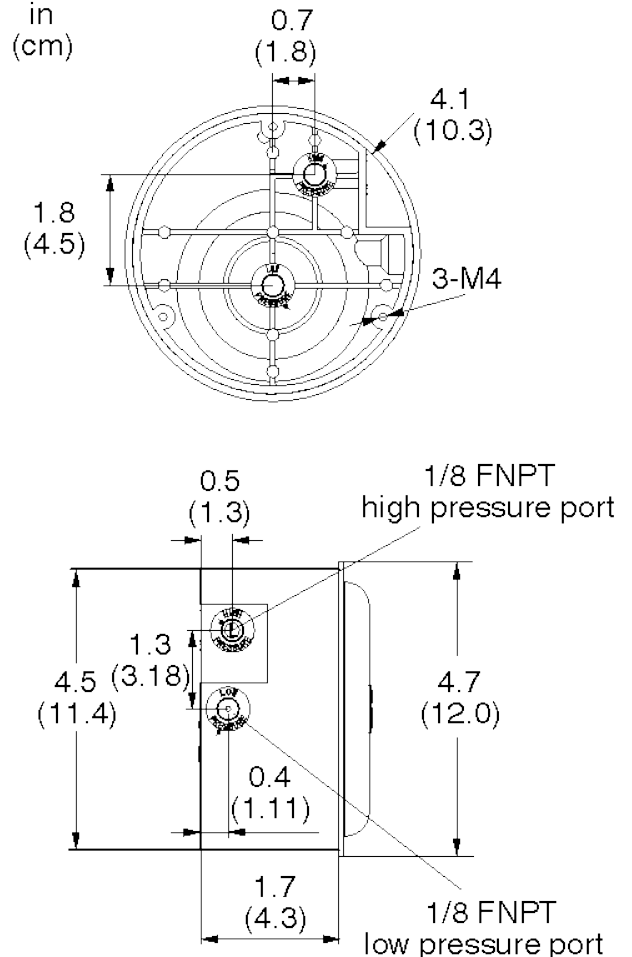
APPLICATIONS

The **K2000 Series** is ideal for monitoring filter status, duct static pressure, room pressure, fan or blower pressure, paint booths, dust collectors, and cabinet purging.



K2005

DIMENSIONS



SPECIFICATIONS

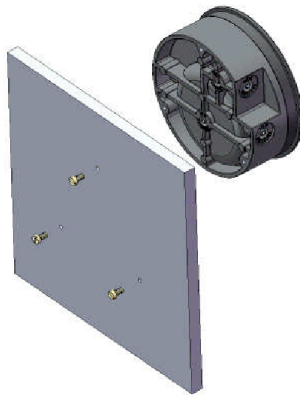
Accuracy	± 2% of FS (3% on -0 and 4% on -00 ranges) throughout range @ 70°F (21°C)
Service Ambient temperature	Air and compatible gases 20° to 140°F (-7° to 60°C)
Rated total pressure	-20" Hg to 15 psig (103 kPa)
Connections	1/8" NPT female high and low pressure taps, duplicated-one pair side and one pair back
Housing	Die-cast aluminum case and bezel
Cover Standard accessories	Acrylic Two 1/8" FNPT barbed fittings, two plugs for duplicate pressure taps, and three flush mounting tabs with screws
Weight	1.1 lb (0.51 kg)
Warranty	2 year

INSTALLATION

Mount the **K2000 Series Differential Pressure Gauge** with the dial in a vertical position in a location free of excessive vibration or pulsating pressures. Sensing lines may be run any distance necessary, but long tubing lengths will increase response time slightly. If the pointer is not exactly on the zero mark with both the high- and low-pressure connections open to the atmosphere, adjust with the external zero adjust screw.

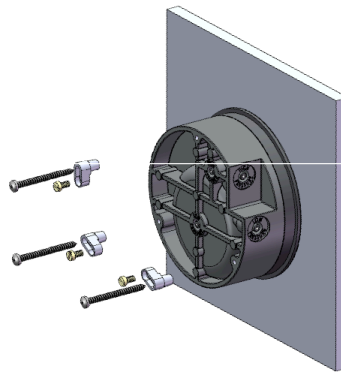
Surface Mounting

Drill 3 holes spaced equally apart on a 4 1/16" diameter circle to match the holes on the back of the gauge. Secure the gauge with 3 mounting screws of suitable length provided.



Flush or Panel Mounting

Cut an opening in the panel 4 9/16" in diameter. Insert gauge into panel cutout, attach adapters, and use the 6 mounting screws of provided to fasten the gauge in place.



To monitor positive pressure, connect tubing from the source of pressure to either of the two high-pressure ports. Plug the other high-pressure port, and vent one or both low-pressure ports to atmosphere.

To monitor negative pressure, connect tubing from the source of negative pressure to either of the two low-pressure ports. Plug the other low-pressure port, and vent one or both high-pressure ports to atmosphere.

To monitor differential pressure, connect tubing from the source of the higher pressure to either of the two high-pressure ports. Connect tubing from the source of the lower pressure to either of the low-pressure ports. Plug both unused ports.

Zero adjustment

Zero adjustment can be made after installation. Use the zero adjusting screw at the bottom of the cover to zero the pointer while both the high and low pressure ports are open to atmospheric pressure.